

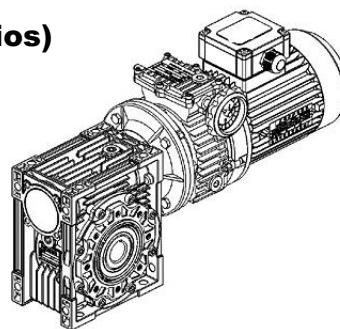
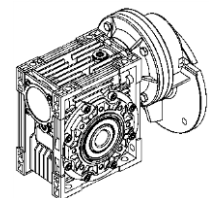
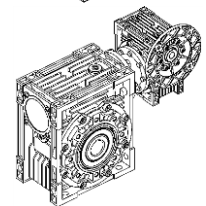
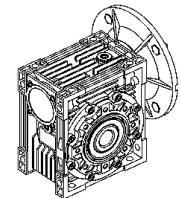
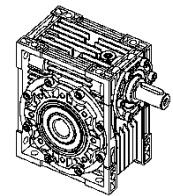
EMAW

30 – 150

Worm Gearboxes

EMAW gearboxes are used in a variety of applications: Conveyor systems, crushers, cranes, cooling towers and extractors. EMAW gearboxes are used in many industries such as paper, sugar, textile, plastic, steel industry and waste water treatment

- **9 Sizes**
 - Aluminium 30-40-50-63-75-90
 - Cast Iron 110-130-150
- **Input**
 - IEC motor inputs
 - Solid input shaft available
- **Universal mounting**
- **Speed Variation**
 - Variator
 - Pre Stage unit
- **Output**
 - Single & Double output shafts
 - Various output flanges
 - Torque arm
 - Output covers
- **Combination gearboxes (higher ratios)**
 - Double reduction



PLEASE SCAN FOR
MORE INFORMATION:



"Your Partner in Solutions"